



**M fenders**

**FenderTec**  
marine fendering

## M FENDERS



M fenders are widely used on the bow or stern of boats or on the corners of docks or pontoons. The M shape of this fender provides flexibility and it can therefore easily follow the contour of a bow or stern. This type of fender has a wide and flexible contact surface. The grooves on the top provide extra grip and three flexible legs to ensure good contact and sturdy attachment. M fenders can be mounted on a small radius and they are relatively lighter than W fenders. The three mounting holes in M fenders facilitate easy and accurate installation.

### Types

M fenders are produced from an extremely durable type of rubber. Lengths are often no longer than 2000 mm and they are produced by means of compression-moulding. The most common dimensions are kept in stock and can therefore be delivered at short notice. M fenders, W fenders and Keyhole fenders are not interchangeable.

### Processing

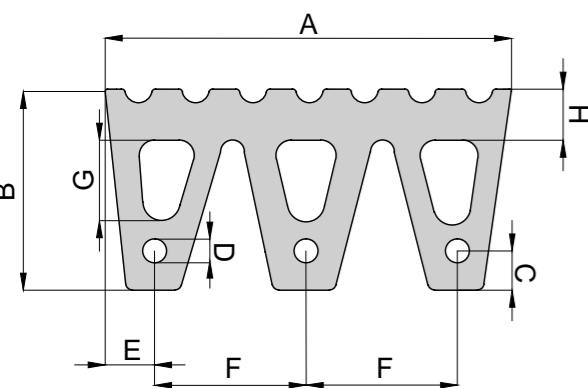
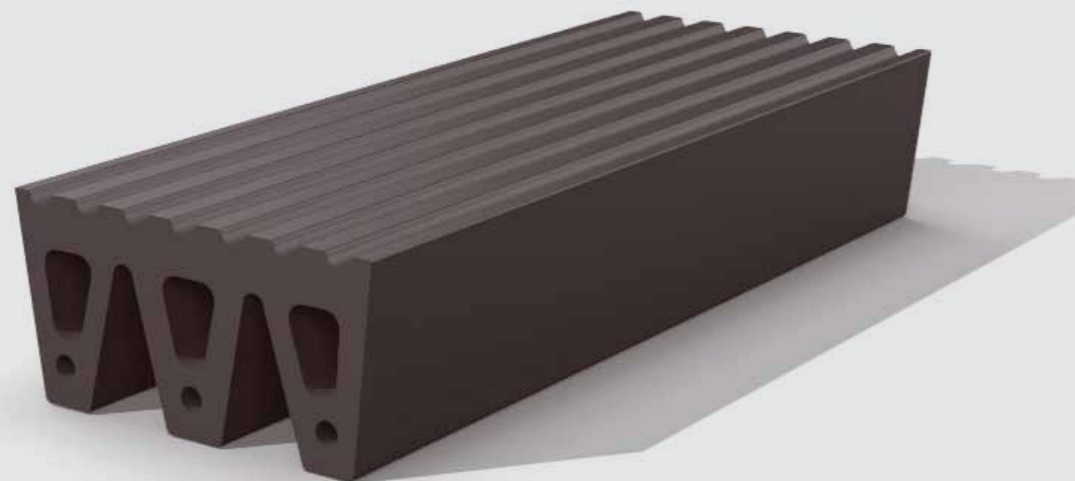
M fenders are relatively easy to install. Mounting often takes place with the help of fixing pins through three standard openings. M fenders are available in various lengths and they can be cut at an angle. If the fenders are longer than one meter an opening for a support strip can be added.

### Applications

M fenders are used to protect:

- tugboats
- workboats
- icebreakers
- barges
- supply boats
- pontoons
- corners of quays
- bridge sections

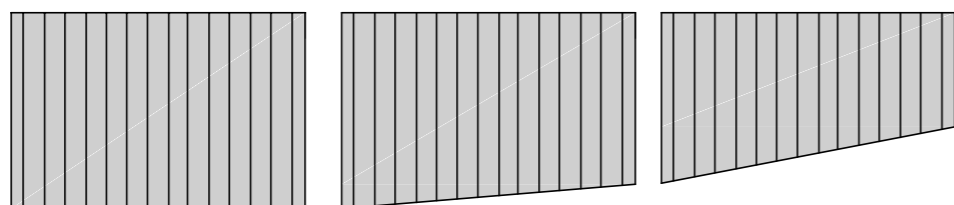




Standard dimensions

A (mm)	B (mm)	C (mm)	D (mm)	E (mm)	F (mm)	Weight (kg/m)
400	200	40	23	50	150	56
500	250	50	27	60	190	89
600	300	60	33	70	230	132
800	400	80	44	95	305	235

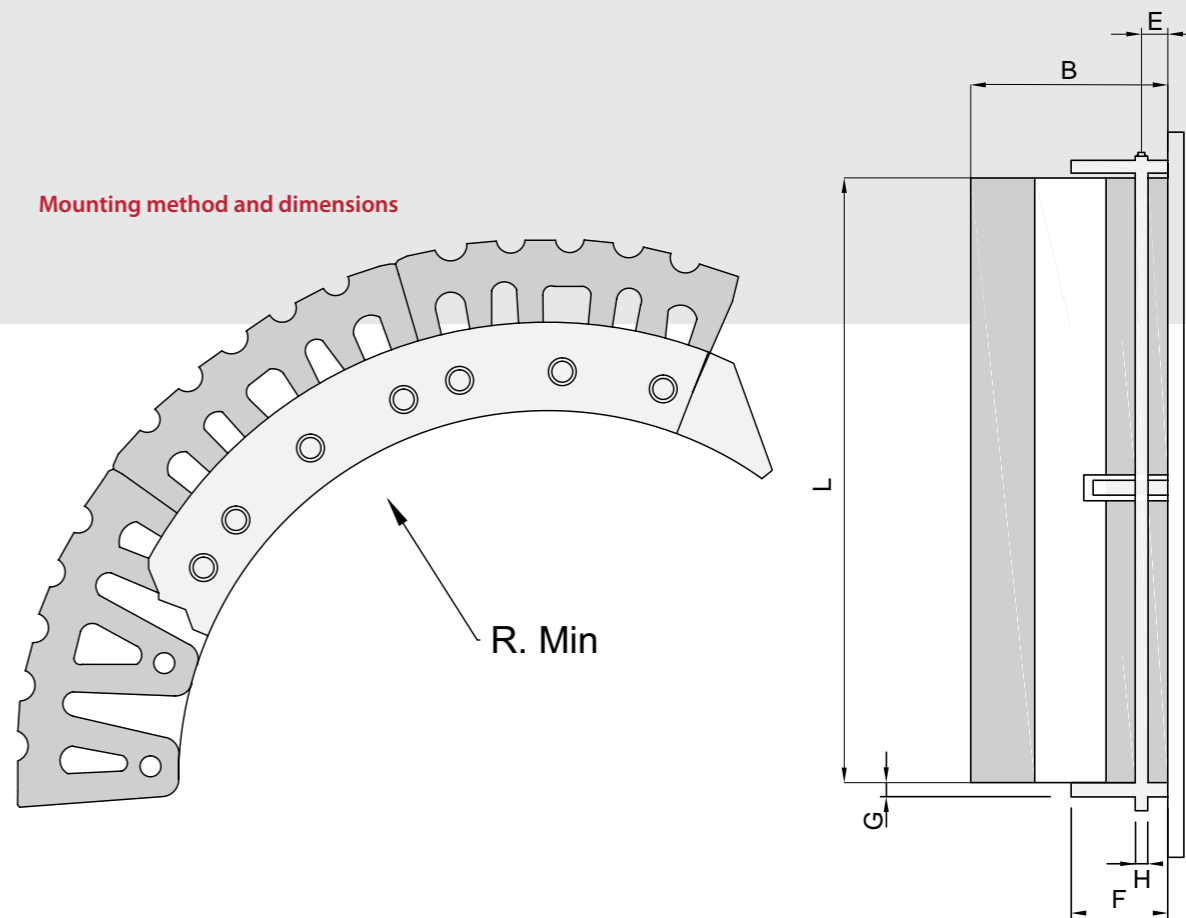
Other non-standard dimensions available on request.



Bow fenderset cut to size



Mounting method and dimensions



B (mm)	E (mm)	F (mm)	G (mm)	øH (mm)	L max. (mm)	Radius min. (R)
200	40	100	15	ø20	2000	450
250	50	125	20	ø24	2000	550
300	60	150	20	ø30	2000	650
400	65	150	20	ø40	2100	900

General guidelines for mounting. For reference purposes only.

Your local representative:

