



Delta fenders

DELTA FENDERS



The delta fender is a proven effective rubber profile for use in both marine and industrial markets and they can be used for various purposes, both inside and outside. This type of fender has a minimal contact surface and they are easy to assemble. A properly mounted delta fender has the capacity to absorb high levels of energy through the presence of a relatively large hollow chamber.

Types

FenderTec produces a standard range of delta fenders. The most common dimensions of delta fenders are kept in stock and can therefore be delivered at short notice. Customer specific sizes and designs can also be produced with short lead times. Many types of delta fenders can be produced in longer lengths and in other colours (non-marking).

Processing

Delta fenders are generally mounted against a construction or wall with the flat bottom. The mounting holes required are made through the top and bottom of the fender. This part of the production is done according to your requirements and drawings. Delta fenders can also be produced vulcanised in a specific radius to ensure that it fits properly around a bow or stern of a ship. Most Delta fenders can be provided in specified lengths and the ends can be bevelled.

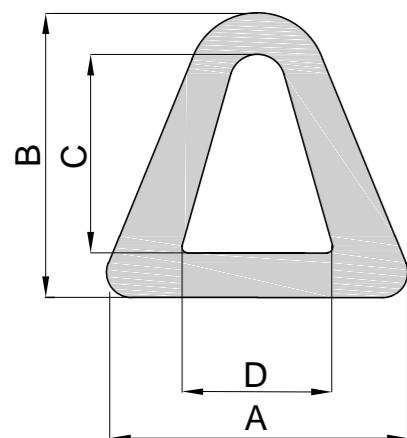
Applications

Delta fenders are multifunctional and they can be used in various projects:

- various types of boats
- quays
- pontoons
- piers
- car parks
- warehouse and shop fittings
- bodyworks



DELTA FENDER

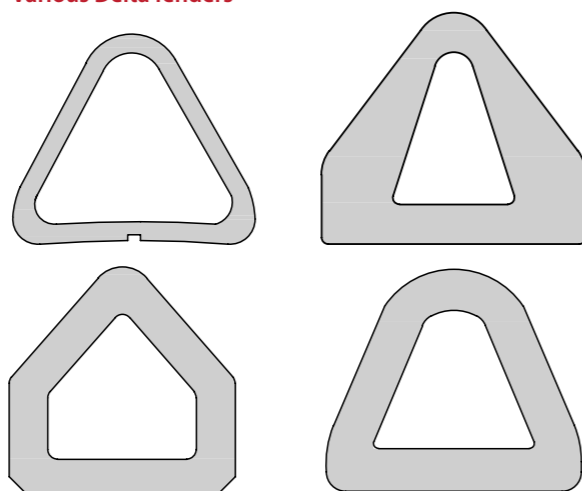


Standard dimensions

A (mm)	B (mm)	C (mm)	D (mm)	Weight (kg/m)
60	50	40	30	2.2
80	75	45	40	3.1
110	100	65	68	7.4
150	130	80	75	13.5

Other non-standard dimensions available on request.

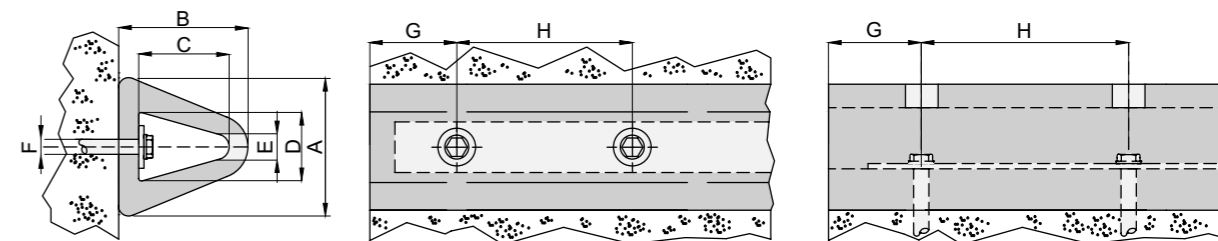
Various Delta fenders



DELTA FENDER



Mounting method and dimensions



A (mm)	B (mm)	C (mm)	D (mm)	E (mm)	F (mm)	G	H	Flat bar	Bolt size
60	50	40	30	20	10	70-110	150-250	15 x 3	M8
80	75	45	40	30	15	90-130	200-300	35 x 5	M12
110	100	65	68	30	15	90-130	200-300	40 x 5	M12
150	130	80	75	40	20	110-150	250-300	60 x 8	M16

General guidelines for mounting. For reference purposes only.

Your local representative:

